



Gooseneck

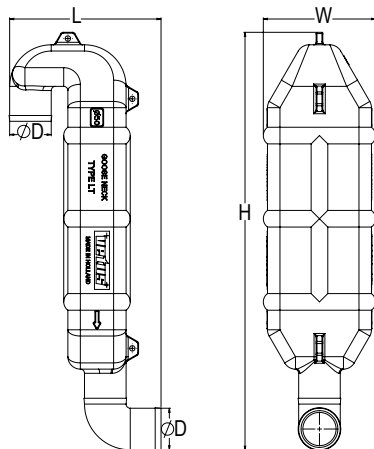
The gooseneck raises the exhaust line above the waterline and provides additional noise reduction. The outlet fits directly to all VETUS rubber transom connectors.

Type WLOCKLT

This gooseneck is suitable for exhaust hose with an internal diameter of \varnothing 40, 45, 50 or 60 mm. Engines with a \varnothing 57 mm exhaust elbow can be connected to a \varnothing 60 mm VETUS exhaust hose and use \varnothing 60 mm exhaust components.



WLOCKLT



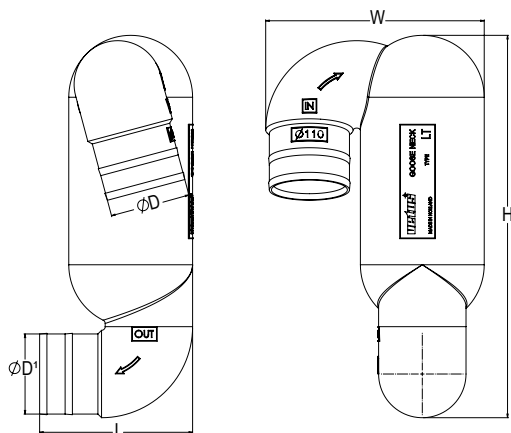
Type	Hose I.D.			
	Ø D (mm)	L (mm)	W (mm)	H (mm)
WLOCKLT40	40	182	135	502
WLOCKLT45	45	182	135	502
WLOCKLT50	50	182	135	502
WLOCKLT60	60	182	135	502

Type LT

This type is suitable for exhaust hose with an internal diameter of \varnothing 65, 75, 90, 102, 127 or 152 mm. Supplied with stainless steel (AISI 316) mounting brackets.



LT



Type	Hose I.D.		L (mm)	W (mm)	H (mm)
	Ø D (mm)	Ø D' (mm)			
LT6575	65	75	155	235	500
LT7575	75	75	155	235	500
LT9090	90	90	210	300	525
LT90110	90	110	210	300	525
LT102	102	102	210	300	525
LT110110	110	110	210	300	525
LT127	127	127	275	380	565
LT152	152	152	275	380	565

